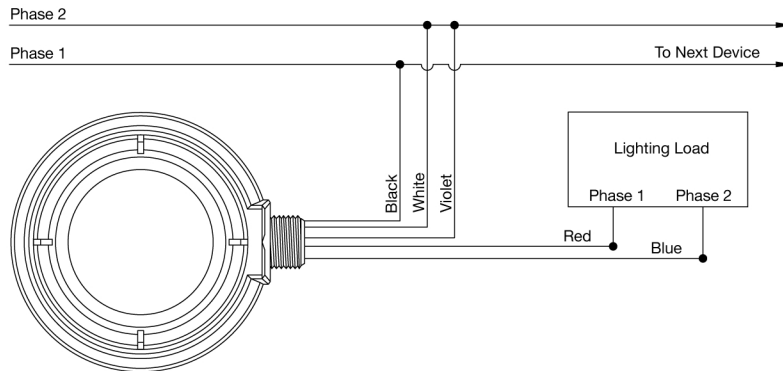
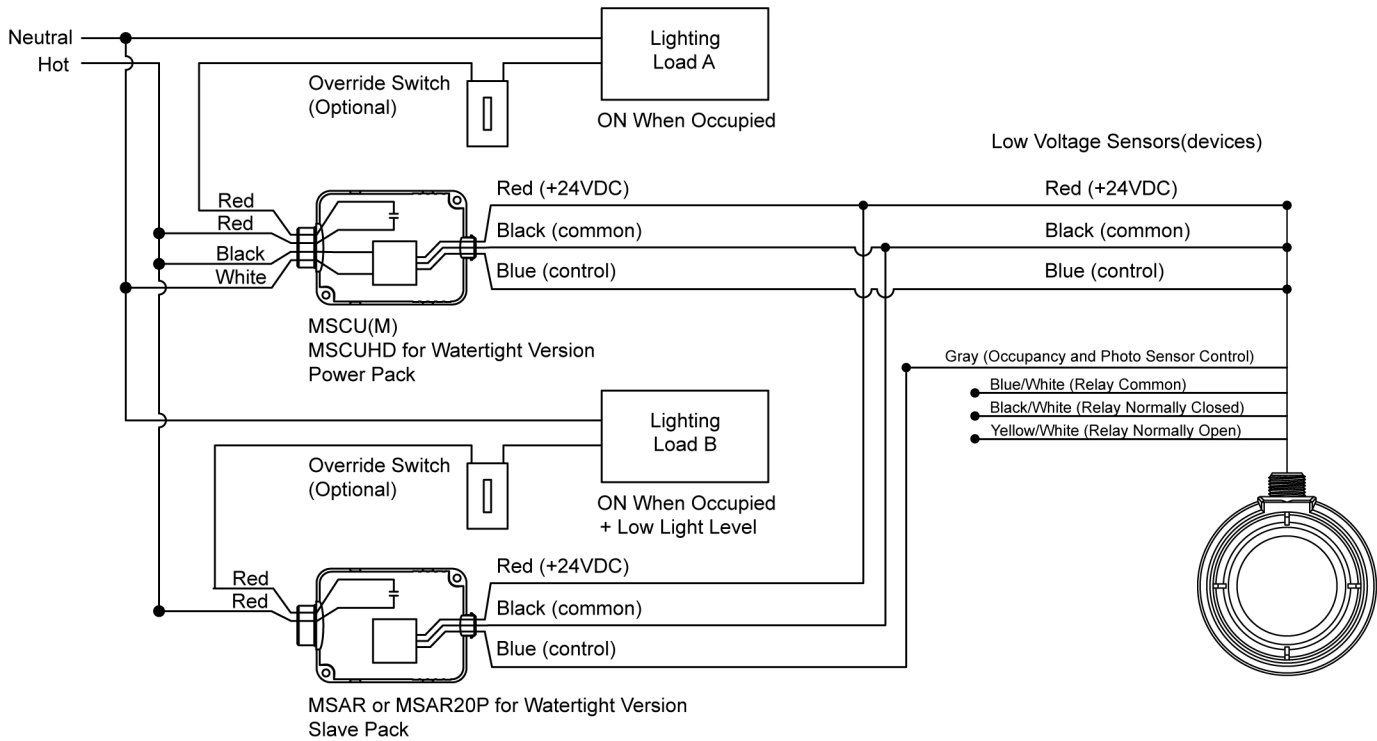


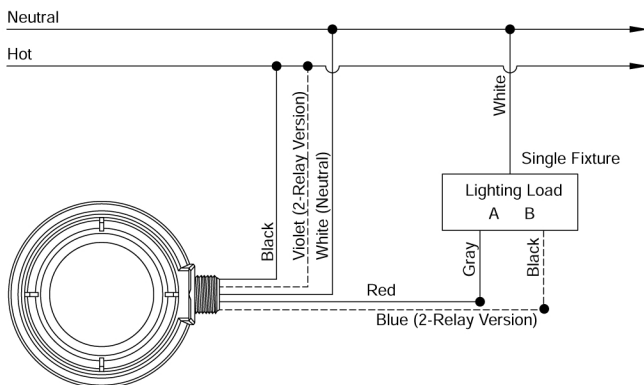
# Occupancy Sensors and Lighting Controls

## Wiring Schematics

### OPTIMYZER® High Bay Controls MSHB Series, Low Voltage Sensor with Control Unit



### OPTIMYZER® High Bay Controls MSHB Series, Dual Relay, Single Fixture



### OPTIMYZER® High Bay Controls MSHB Series, Dual Relay, Two Fixtures

